

PRAO®



**SMART  
DESIGN**  
stockexpress®

# PRAO®

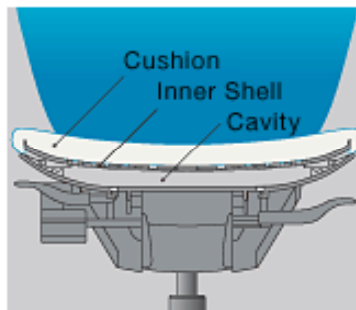
Your chair should be your best partner at work. The design and features of the PRAO chair was created with this concept in mind. The style fits naturally in any office environment, with its rich color variations and features providing all the possible comforts we could imagine.

The PRAO strikes a perfect balance between features and usability.



## Lumbar Support

You can adjust the lumbar support (lower back support) on the backside of the chair to your desired position with an up-down motion (one stroke = 100mm). This adjusts the chair back support to a more comfortable fit for long hours of seating.



## Revolutionary -Bending Seat

The inner shell of the seat (material: polypropylene resin) has slits that give the seat flexibility to bend with weight. Variations in the seat thickness give the seat flexibility to conform to your changing positions, creating a seat that moves to fit your body.



## Seat Size Adjustment

You can adjust the seat by 40-mm with each stroke (10mm pitch) of the lever located under the seat. This allows you to adjust the seat to better accommodate your body type and seated position.



### Easy Reclining

Using the ankle move synchro-reclining system, the chair reclines to adjust the angle of the back and seat without pressure on your ankles.



1. Seat Angle Stopper: Use the stopper to hold the reclined angle in position.
2. Reclining Resistance Adjustment: Turn the knob to adjust the strength required to recline.
3. Seat Adjustment: Use the lever to slide the seat back and forth.
4. Height Adjustment: Use the lever to adjust the height of the seat.



### Comfort for Concentration

The armrests and chair back maintain the same angle as the chair reclines, allowing you to remain in a more relaxed posture.



The armrests are made of a soft olefin resin mold for a soft, cushiony feel.



Instructional pictures on the lever make adjustment easy.



### Optional:

The PRAO chair is also available with and optional Coat rack.



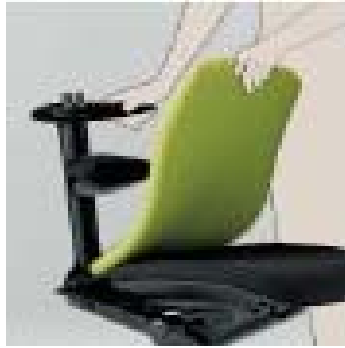
回収したバッテリーケース



粉砕分別/洗浄粉砕



ペレット化



The use of recyclable materials:  
Use of recyclable plastics in the components of the PRAO such as the plastic covers, paddle, seats and back inners ect.

Replacement of castors, seat and back cushion easily extends service life and reduce waste.

Labeled material name on the parts:  
To identify different types of material easily to achieve the purpose of recycling.



Certificate of energy-saving and environment-protection on the PRAO chair



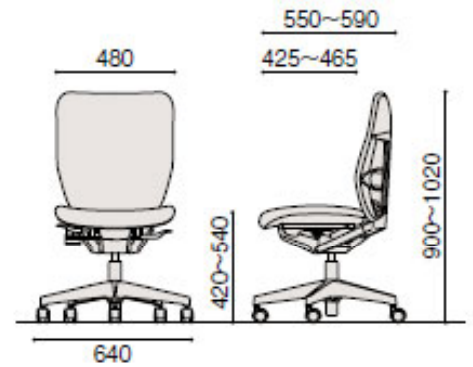
IT-01BA



IT-01GA



IT-01RA



Optional - NO arms



Optional - IT-CR



Optional - IT-HAB

SMART DESIGN

stockexpress®